

# MAXIMATIC® FILTER-REGULATOR-LUBRICATORS



**MMFRL-2P-D**  
FRL with Polycarbonate Bowls  
and Auto Drain



**MMFRL-3W**  
FRL with Bowl Shields

Combination FRLs provide air filtration, regulation and lubrication in one unit for easy mounting and installation. Includes L brackets and gauge.

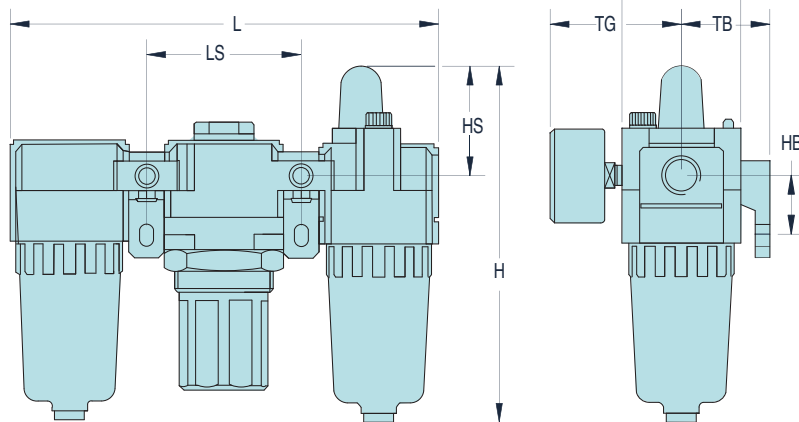
**Bowl:** Polycarbonate standard. Steel bowl shields provided on models indicated. Metal bowls with sight glasses also available, add “-M” to the Part Number.

**Regulating Range:** 7 to 100 psig on MMFRL-1N, 7 to 125 psig on all others. 30 and 60 psig ranges also available, add “-P30” or “-P60” to the end of the Part Number.

**Drain:** Semi-Automatic standard on MM-FRLS-3 series. Manual standard on all others. Optional Automatic Drain

available—add “-D” to the Part Number. Drains not available on Lubricators.

Filtration: 25 micron filter standard. Add “-F5” to the end of the Part Number for an optional 5 micron filter.



Drawing shown with Polycarbonate Bowl without Shield or Auto Drain

Dim.	MMFRL-4Z					
	MMFRL-1	MMFRL-2	MMFRL-3	MMFRL-4W	MMFRL-4A	MMFRL-5B
H	3.33 (84.6)	4.92 (125.0)	6.16 (156.5)	7.54 (191.5)	7.60 (193.0)	10.69 (271.5)
HB	0.79 (20.1)	0.94 (23.9)	1.39 (35.3)	1.57 (40.0)	1.57 (39.9)	1.97 (50.0)
HS	1.00 (25.4)	1.50 (38.1)	1.50 (38.1)	1.61 (40.9)	1.61 (40.9)	1.89 (48.0)
L	3.58 (90.9)	5.51 (140.0)	7.13 (181.1)	9.37 (238.0)	9.96 (253.0)	11.81 (300.0)
LS	1.3 (33.0)	1.97 (50.0)	2.52 (64.0)	3.31 (84.1)	3.50 (88.9)	4.13 (104.9)
TB	0.98 (24.9)	1.18 (30.0)	1.61 (41.0)	1.97 (50.0)	1.97 (50.0)	2.75 (69.9)
TG	1.02 (25.9)	2.24 (57.0)	2.39 (60.7)	2.58 (65.5)	2.74 (69.6)	2.97 (75.4)
TR	0.98 (24.9)	1.57 (40.0)	2.09 (53.1)	2.76 (70.1)	2.76 (70.1)	3.54 (89.9)

Part No.	Port	Gauge Port	Flow Rate	Bowl Shield	Gauge
<b>MMFRL-1N</b>	#10-32	1/16" NPT	3 scfm	no	PG-10-160J
<b>MMFRL-2P</b>	1/8" NPT	1/8" NPT	18 scfm	no	PG-15-160P
<b>MMFRL-2Q</b>	1/4" NPT	1/8" NPT	18 scfm	no	PG-15-160P
<b>MMFRL-3O</b>	1/4" NPT	1/8" NPT	70 scfm	yes	PG-15-160P
<b>MMFRL-3W</b>	3/8" NPT	1/8" NPT	70 scfm	yes	PG-15-160P
<b>MMFRL-4W</b>	3/8" NPT	1/4" NPT	140 scfm	yes	PG-20-160Q
<b>MMFRL-4Z</b>	1/2" NPT	1/4" NPT	140 scfm	yes	PG-20-160Q
<b>MMFRL-4A-M*</b>	3/4" NPT	1/4" NPT	160 scfm	yes	PG-20-160Q
<b>MMFRL-5B-M*</b>	1" NPT	1/4" NPT	180 scfm	yes	PG-20-160Q

\* Metal bowl standard